

entoceptor

ASSEMBLY INSTRUCTIONS

Tools Required



A mini sledge or mallet is *the only* tool needed

Steps

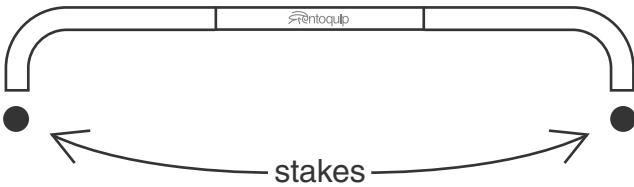
- 1 Connect the two corner pieces (A) to the straight logo piece (B) to create the horizontal top bar (fig. 1).

fig. 1



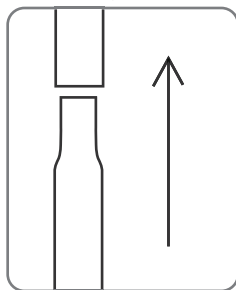
- 2 Place the top bar on the ground. Use it as a guide of where to place the stakes (fig. 2). Hammer the stakes (D) into the ground, at least half-way, until secure.

fig. 2



- 3 Connect three straight pieces (C) to create each vertical side bar. The swaged ends face upwards (fig. 3).

fig. 3



- 4 Insert the side bars into the stakes. Connect the top bar to the side bars (fig.4).

Parts

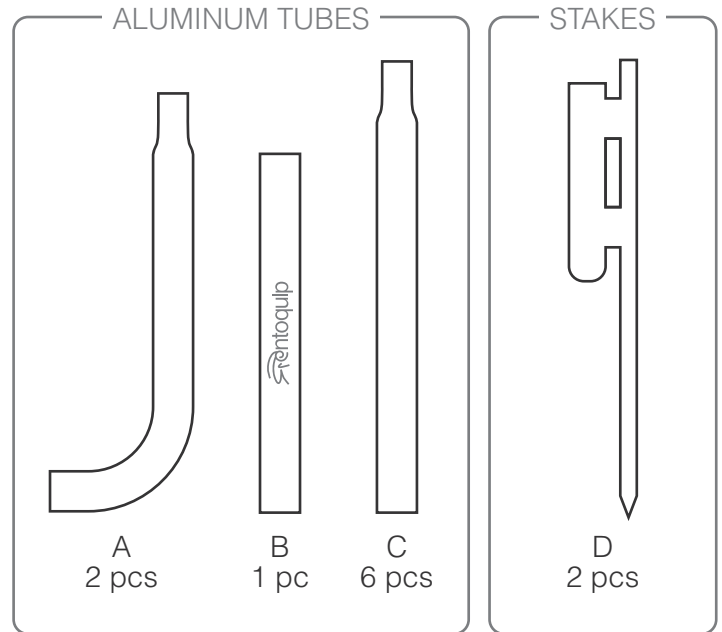
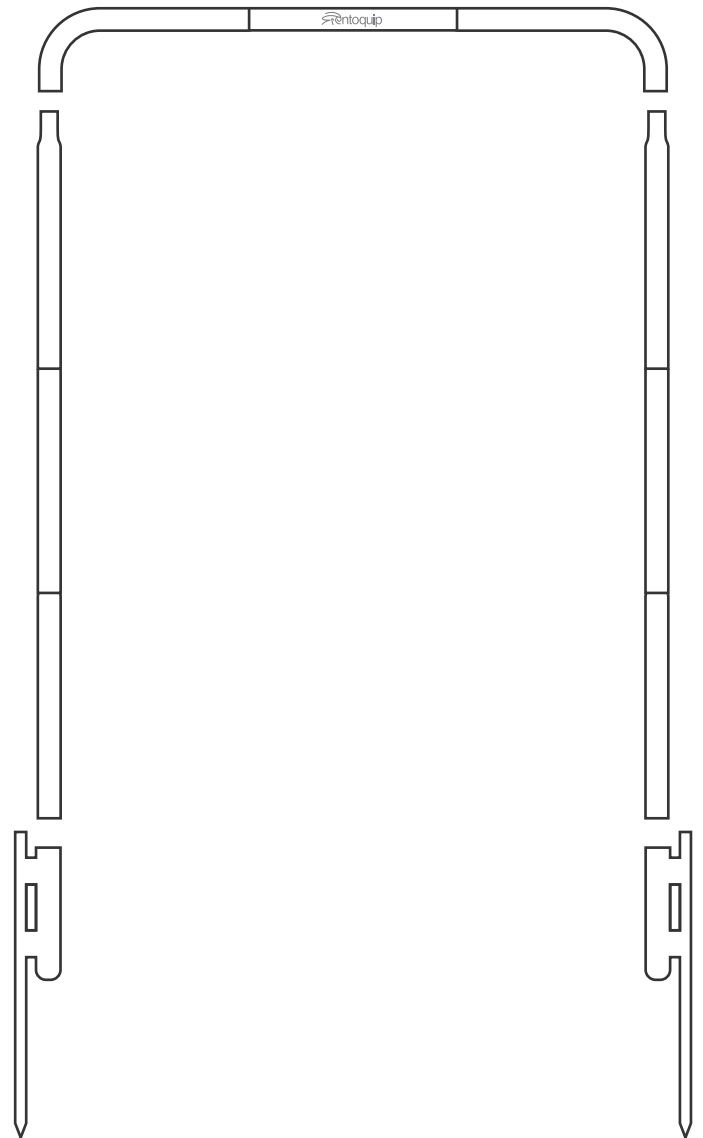
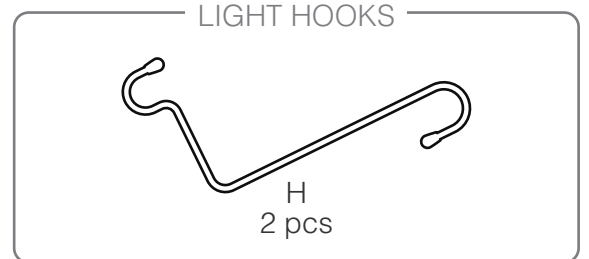
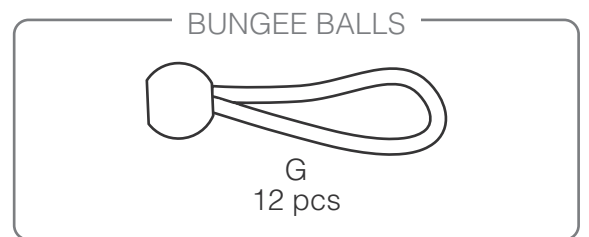
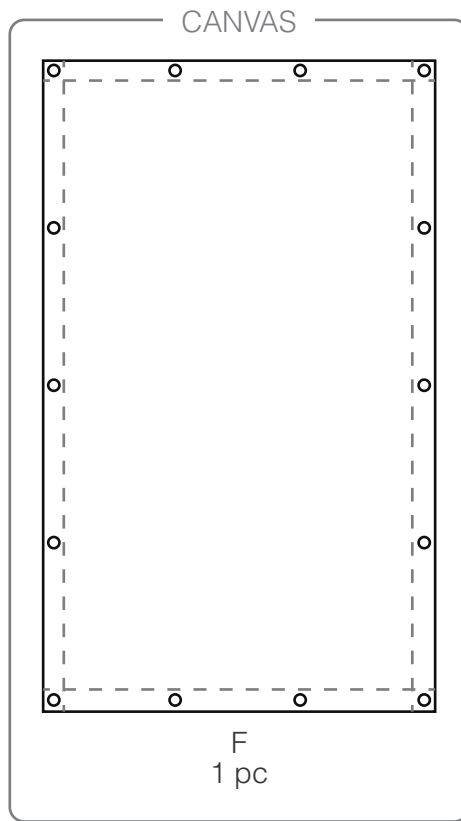
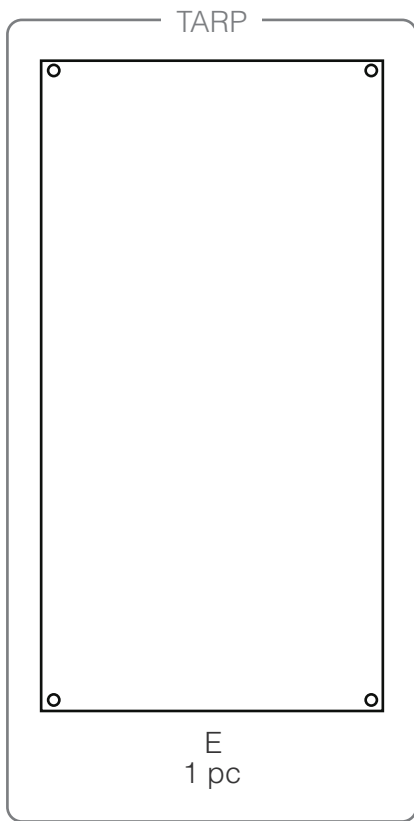


fig. 4



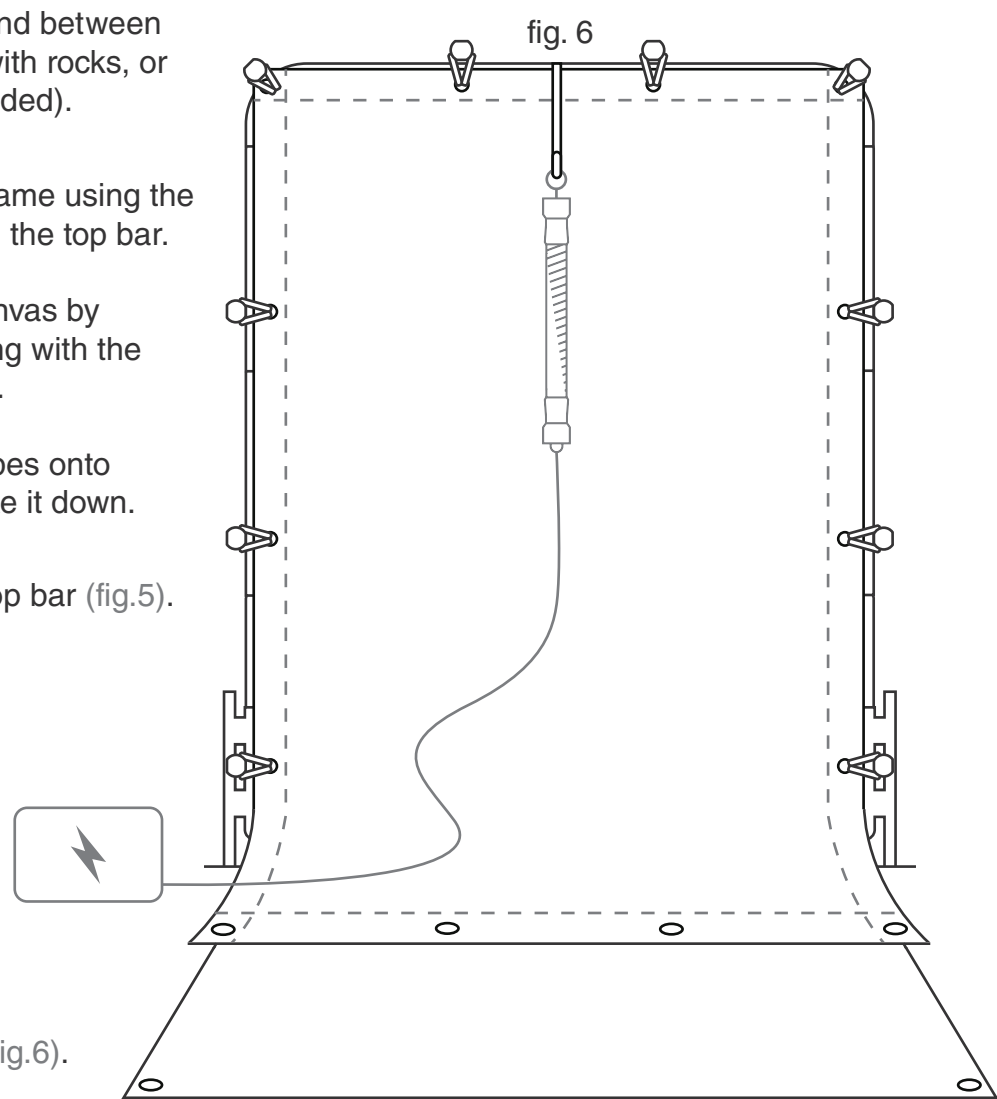
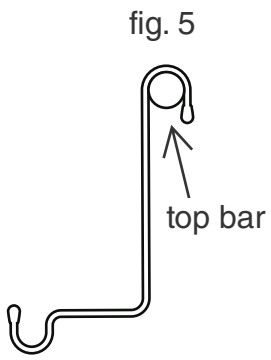


- 5** Place the tarp (E) on the ground between the side bars. Weigh it down with rocks, or stake it down (stakes not included).
- 6** Attach the canvas (F) to the frame using the bungee balls (G), starting with the top bar.

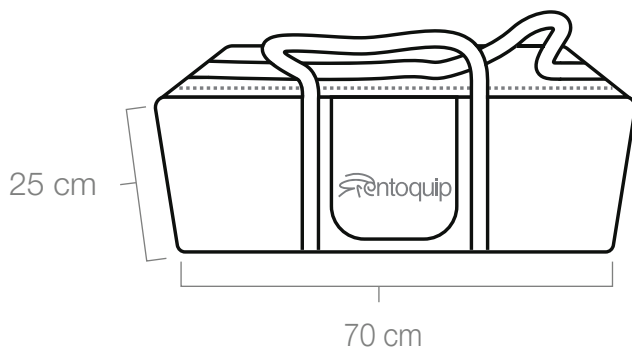
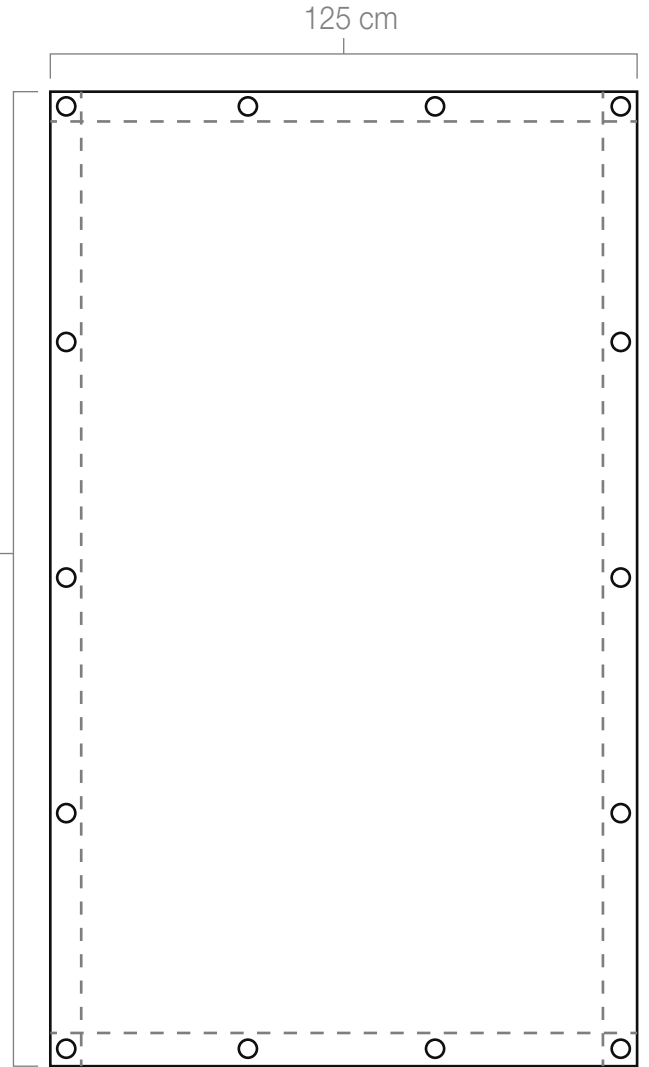
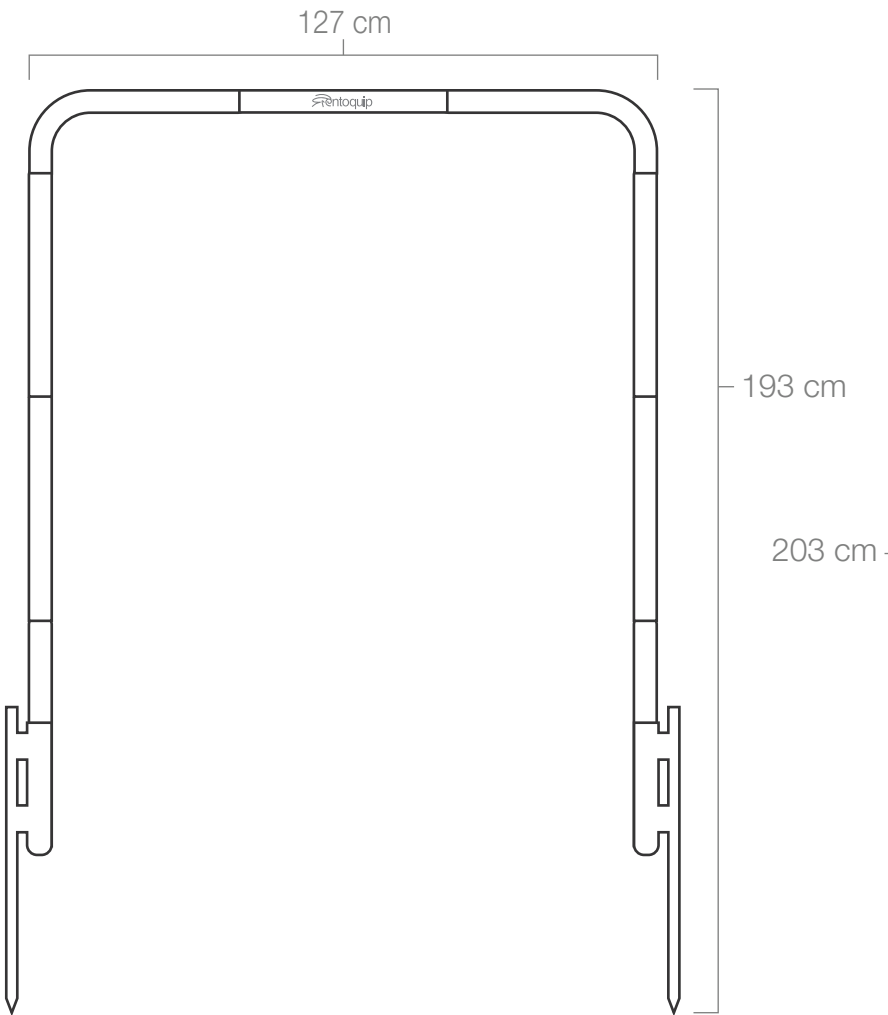
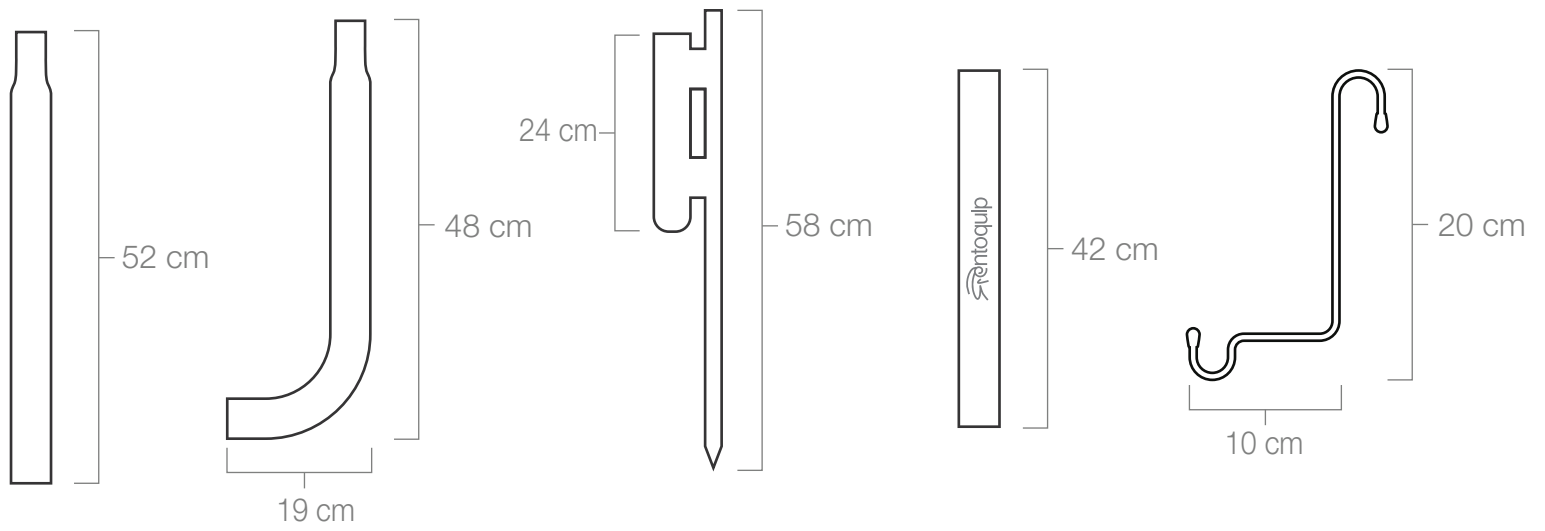
Once attached, tighten the canvas by gently twisting the edges, along with the bungee balls, around the bars.

The bottom of the canvas drapes onto the ground tarp. Weigh or stake it down.

- 7** Attach the light hooks (H) to top bar (fig.5).



See the complete apparatus (fig.6).



4' x 6'
ground tarp